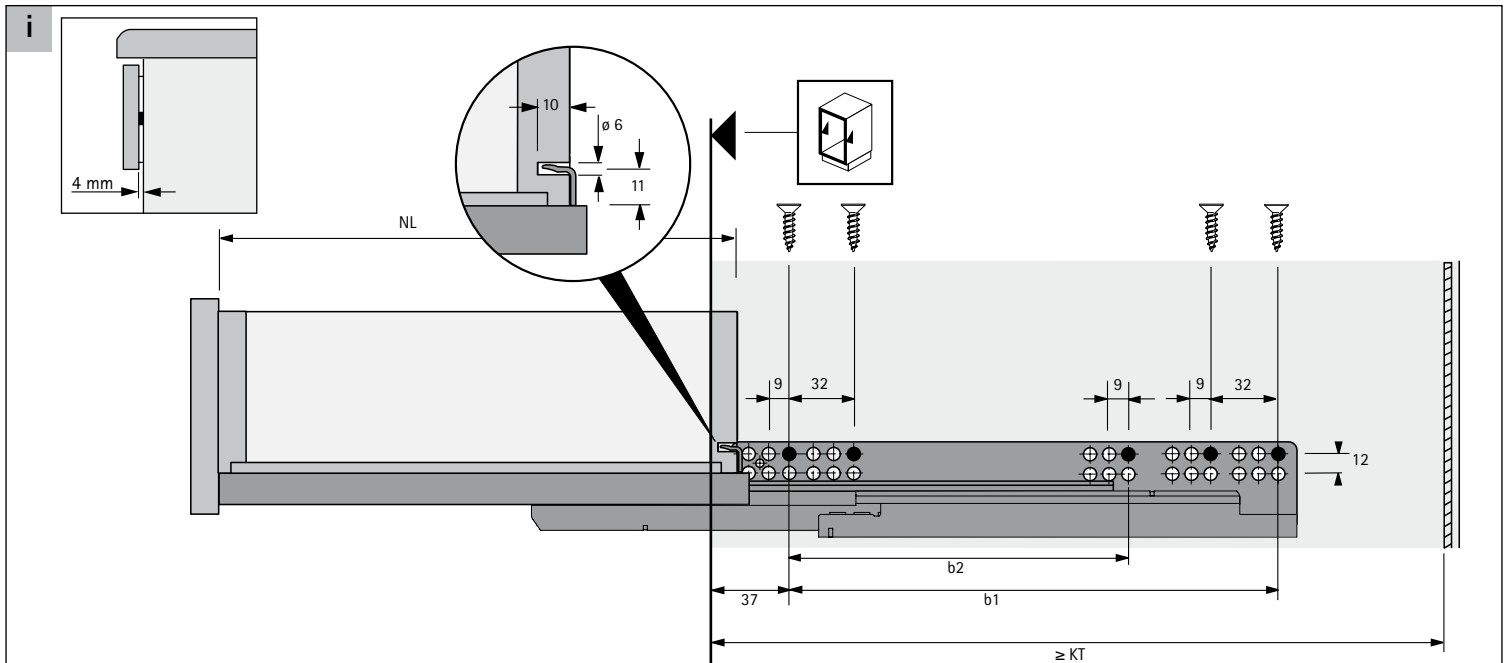
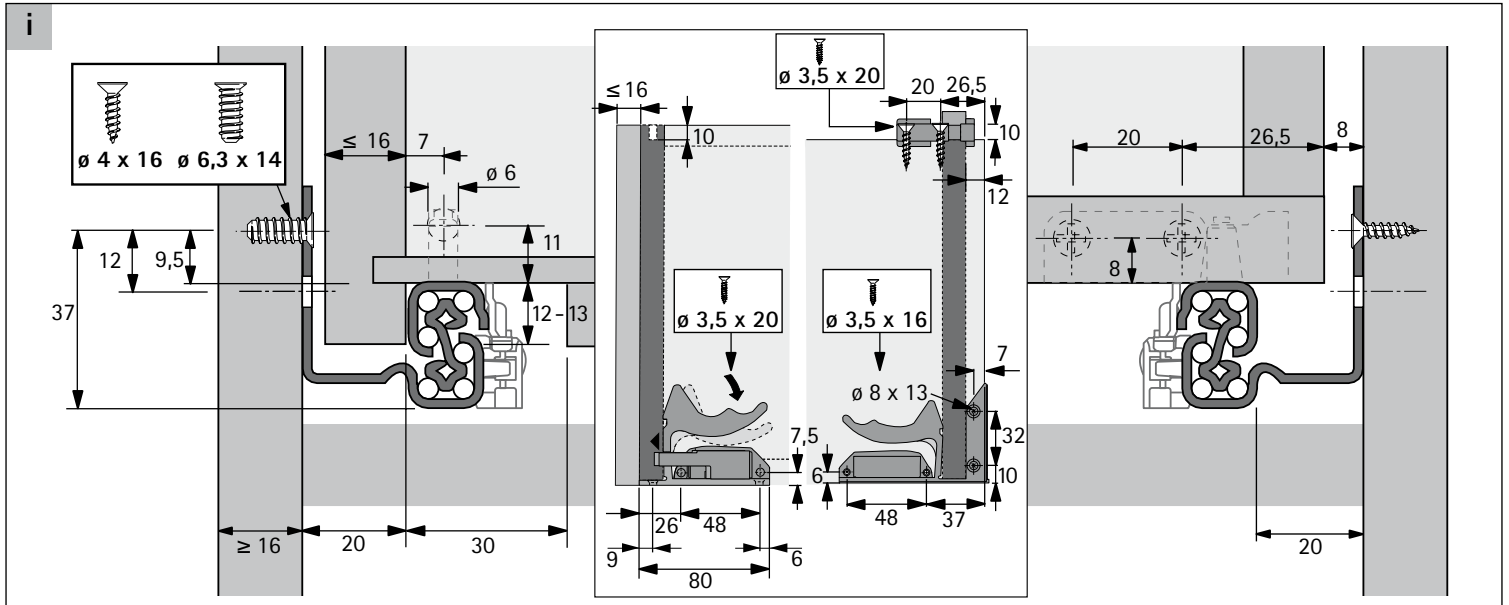


Quadro V6 Push to open Slide-on

Technik für Möbel



| NL mm | $\geq KT$ mm | b_1 mm | b_2 mm |
|-------|--------------|----------|----------|
| 250 | 263 | 142 | - |
| 280 | 293 | 160 | - |
| 300 | 313 | 192 | - |
| 320 | 333 | 192 | - |
| 350 | 363 | 192 | - |
| 380 | 393 | 224 | - |
| 400 | 413 | 224 | - |
| 420 | 433 | 224 | - |
| 450 | 463 | 256 | - |
| 480 | 493 | 256 | - |
| 500 | 513 | 288 | 224 |
| 520 | 533 | 288 | 224 |
| 550 | 563 | 288 | 224 |
| 580 | 593 | 352 | - |
| 600 | 613 | 352 | - |

