

MultiTech single walled drawer system

- ▶ Drawer / internal drawer, height 214 mm
- ▶ Powder coated steel, white



Components

- 1 Drawer set
 - 2 Front connector for drawer, 2 each
- Optional accessories:**
- 3 Cover cap, 1 set or 2 each
 - 5 Silent System

Alternatively:

- 4 Front connector for internal drawer

- A Front panel
- B Bottom panel (material thickness 16 mm)
- C Rear panel (material thickness 16 mm)
- D Front panel for internal drawer (material thickness 16 mm)

1 Drawer set

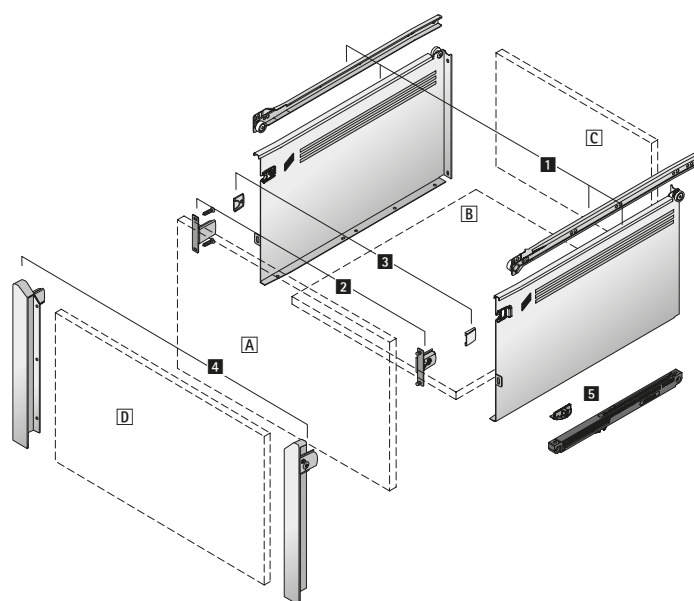
- ▶ 25 kg load capacity to EN 15338, Level 2

Set comprises:

- ▶ 1 drawer side profile set
- ▶ 1 carcass rail set, partial extension runner



Nominal length in mm	Order no.	PU
350	9 127 917	1/5 set
400	9 127 919	1/5 set
450	9 127 921	1/5 set
500	9 127 923	1/5 set
550	9 127 925	1/5 set



Advice

- ▶ For technical information, see pages 1418, 1419 - 1426