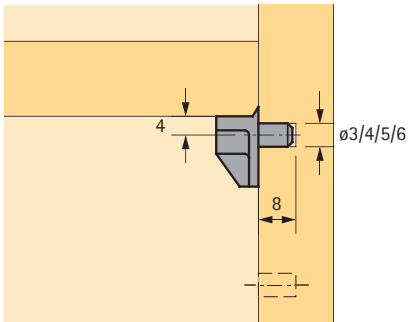


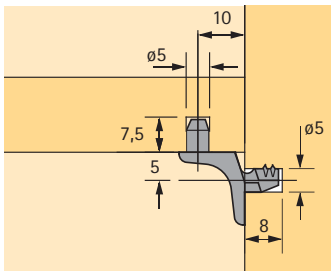
## Shelf support Safety

System 32

- Steel pin, housed in moulded plastic



Pin diameter mm	Finish	Order no.	PU
5	white	0 025 090	1/500
	brown	0 025 091	1/500
	beige	0 025 092	1/500
	translucent	0 016 180	1/500
6	translucent	0 022 532	1/500
4	translucent	0 022 533	1/500
3	translucent	0 022 534	1/500



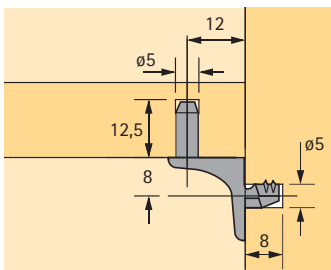
## Shelf support Universal 1

System 32

- Pin diameter 5 mm
- 1 additional pin for shelf
- Nickel-plated/die-cast zinc



Order no.	PU
0 019 557	1/500



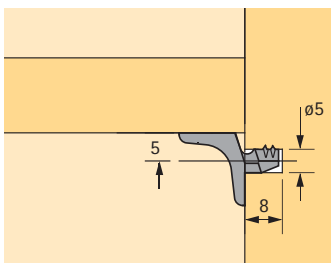
## Shelf support Sekura 6

System 32

- Pin diameter 5 mm
- 1 additional pin for shelf
- Nickel-plated/die-cast zinc



Order no.	PU
0 079 707	1/500



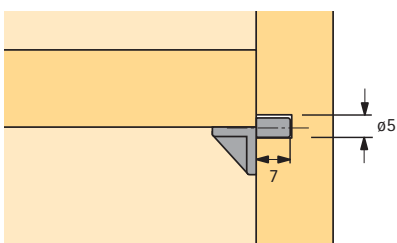
## Shelf support Sekura 2

System 32

- Pin diameter 5 mm
- Nickel-plated/die-cast zinc



Order no.	PU
0 025 100	1/500



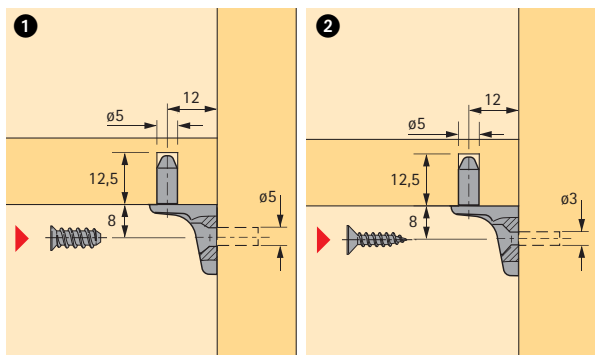
## Shelf support

System 32

- Pin diameter 5 mm
- White plastic



Order no.	PU
0 044 751	1/500



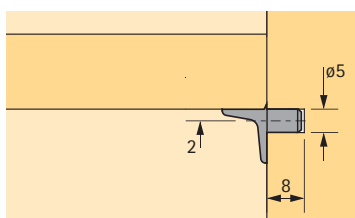
**Shelf support Sekura 7**

- ① Hole diameter 5 mm for Euro screw, countersunk head diameter 6,3 mm
- ② Hole diameter 3 mm for countersunk screw dia. 4 mm
- Each contains 1 additional pin for shelf
- Nickel-plated/die-cast zinc

**System  
32**



	Hole diameter mm	Order no.	PU
①	5	0 053 012	1/500
②	3	0 079 711	1/500



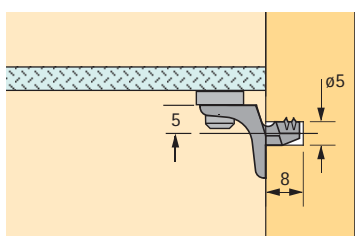
**Shelf support Universal D**

- Pin diameter 5 mm
- Nickel-plated/die-cast zinc

**System  
32**



Order no.	PU
0 022 737	1/500



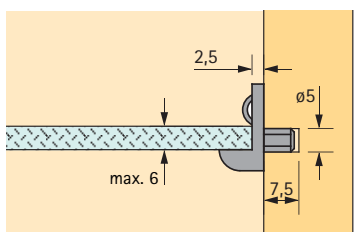
**Shelf support Sekura 8**

- Pin diameter 5 mm
- With glass shelf support
- Nickel-plated/die-cast zinc/transparent

**System  
32**



Order no.	PU
0 047 609	1/500



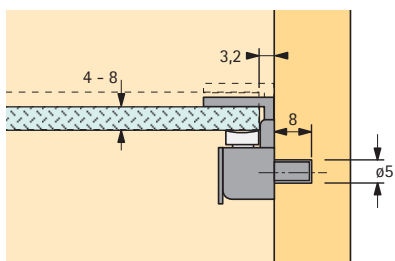
**Glass shelf support**

- With tilt prevention
- Pin diameter 5 mm
- plastic, translucent

**System  
32**



Order no.	PU
0 073 615	1/500



**Glass shelf support**

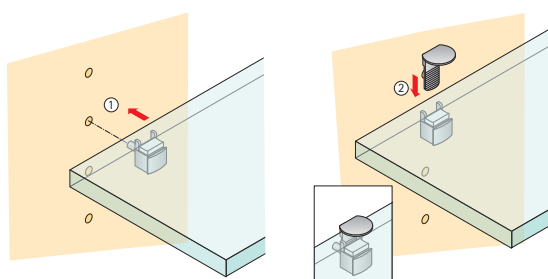
- To prevent accidental removal or tilting
- For 4 - 8 mm glass thickness
- Nickel-plated zinc die-cast

**System  
32**

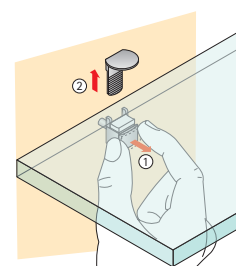


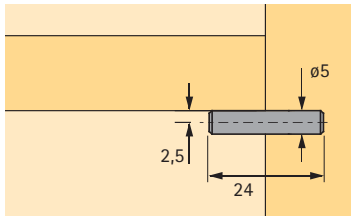
Order no.	PU
9 080 214	1/500

**Assembly**



**Disassembly**



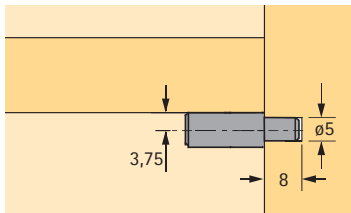


### Push-in shelf support

- $\varnothing$  5 x 24 mm
- Chromated steel



Order no.	PU
0 025 124	1/500

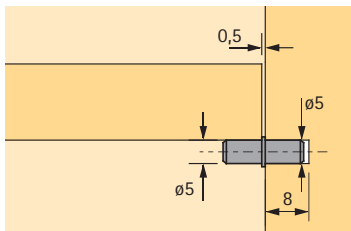


### Push-in shelf support

- Pin diameter 5 mm
- Chromated steel



Order no.	PU
0 016 181	1/500

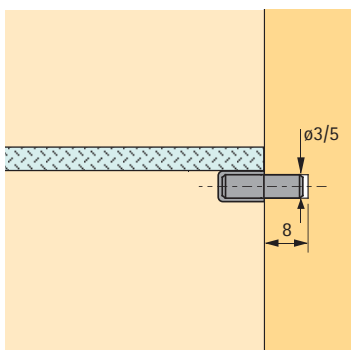


### Shelf support Duplo

- Pin diameter both sides 5 mm
- Steel



Finish	Order no.	PU
nickel-plated	0 046 642	1/500
chrome-plated	0 013 138	1/500

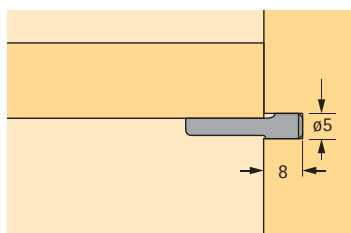


### Glass shelf support

- With plastic cover cap
- Soft plastic support prevents shelf from rattling
- Steel pin, chrome plated  
Plastic, transparent



Pin diameter mm	Order no.	PU
5	0 079 709	1/500
3	0 079 710	1/500

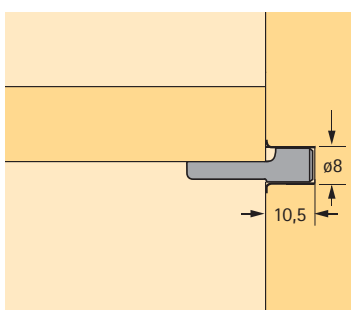


### Flattened shelf support

- For hole line  $\varnothing$  5 mm
- Chromated steel



Order no.	PU
0 020 782	1/500

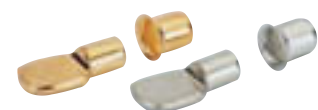


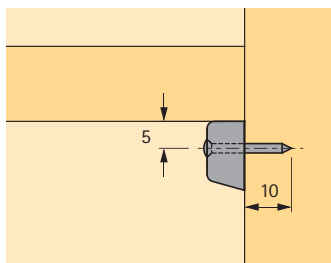
### Flattened shelf support with sleeve

- Pin diameter 8 mm
- Steel



Artikel	Finish	Order no.	PU
Shelf support	brass-plated	0 025 200	1/500
	nickel-plated	0 025 201	1/500
Sleeve	brass-plated	0 025 202	1/500
	nickel-plated	0 025 203	1/500



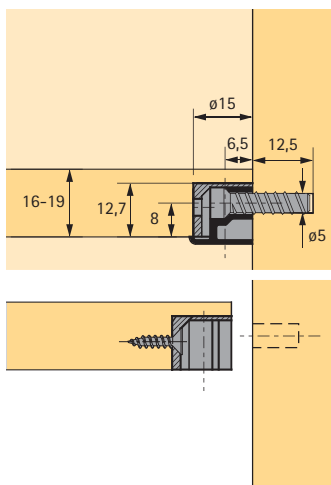


**Shelf support Perfekt F**

- With steel pin
- Plastic



Finish	Order no.	PU
white	0 013 130	1/500
brown	0 013 131	1/500



**Two part shelf support VB 52 D**

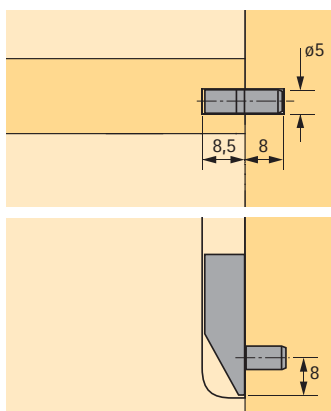
- The support part, which is made of die-cast zinc, is mounted to the cabinet
- The shelf is securely tightened to the cabinet side by the cone-shaped guide
- Nickel-plated/die-cast zinc



Order no.	PU
0 047 662	1/500

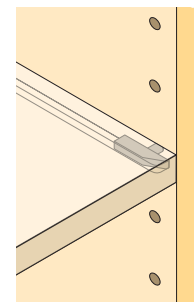
**Euro screw, countersunk head**

Article	Order no.	PU
ø 6,3 x 14 mm	0 047 452	200
ø 6,3 x 18 mm	0 052 799	200

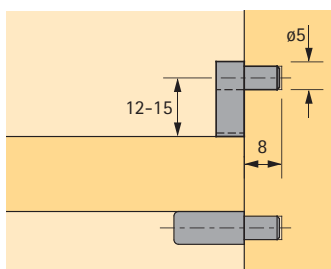


**Shelf support**

- For grooved shelves
- Pin diameter 5 mm
- Zinc, self-colour



Order no.	PU
0 074 805	1/500



**Shelf studs**

- Pin diameter 5 mm
- Plastic, translucent



Order no.	PU
0 063 549	1/500