

Drawer runners for wooden drawers

- ▶ KA 1730 partial extension runner for groove installation
- ▶ Load capacity 10 kg

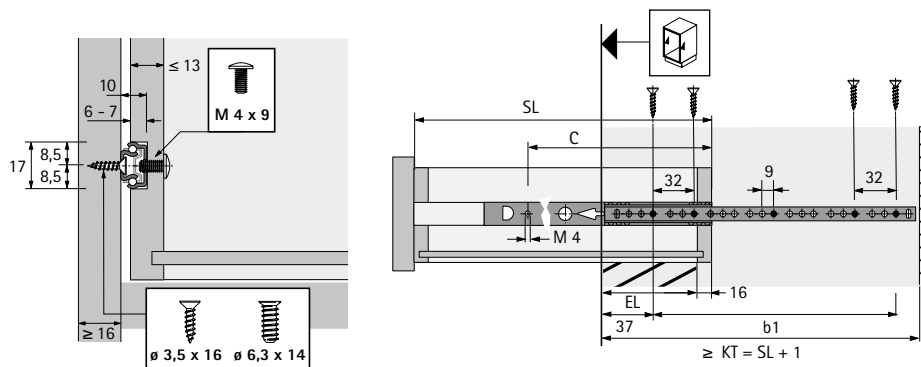


- ▶ Partial extension runner with pull-out stop and roll-out prevention
- ▶ Runner and ball cage form a complete, non-separable unit
- ▶ Precision control for moving smoothly and freely and high lateral stability
- ▶ With additional front panel support for drawer lengths of 430 mm and over
- ▶ For drawers with grooved, rebated or loosely fitted drawer bottom panel
- ▶ Load capacity to EN 15338, Level 1
- ▶ Galvanised steel

KA 1730 ball bearing runner, 17 mm groove

Nominal length mm	Drawer length SL mm	Extension loss EL mm	Hole spacing b1 mm	Hole spacing C mm	Carcase rail mm	Drawer runner mm	Order no.	PU
200	155 - 210	32	96	101	150	133	0 079 054	1/20 pair
250	185 - 260	44	128	132	182	164	0 079 055	1/20 pair
300	185 - 305	44	128	153	182	185	0 030 765	1/20 pair
330	220 - 340	56	160	178	214	210	0 066 933	1/20 pair
350	220 - 355	56	160	185	214	217	0 071 835	1/20 pair
380	250 - 390	68	192	209	246	241	0 071 836	1/20 pair
400	250 - 410	68	192	217	246	249	0 030 766	1/20 pair
430	430	86	224	398	278	430	0 079 056	1/20 pair
450	450	86	224	418	278	450	0 030 767	1/20 pair
480	480	98	256	448	310	480	0 079 057	1/20 pair
500	500	98	256	468	310	500	0 030 768	1/20 pair
550	550	110	288	518	342	550	0 030 769	1/20 pair

Planning dimensions



Advice

- ▶ For technical information, see page 1610 - 1612
- ▶ For accessories, see page 1636 - 1641