

Special hinge

- ▶ Centre hinge 625
- ▶ For folding doors, opening angle 180°

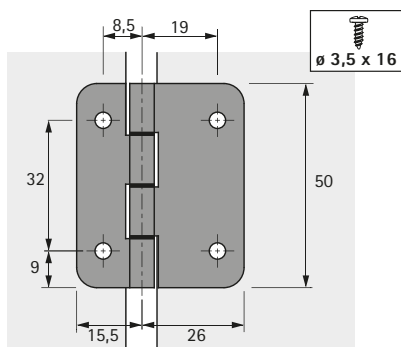
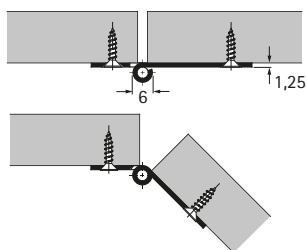


- ▶ Centre hinge for folding doors
- ▶ Can be installed at the centre or with pivot offset
- ▶ Top running performance due to abrasion resistant distance rings with pivot bearing
- ▶ With fixed steel pin
- ▶ Steel, nickel plated

Centre hinge 625

Order no.	PU
0 071 648	1/10 ea.

Mounting centred



Mounting with pivot offset

