

Interior fittings for wardrobes

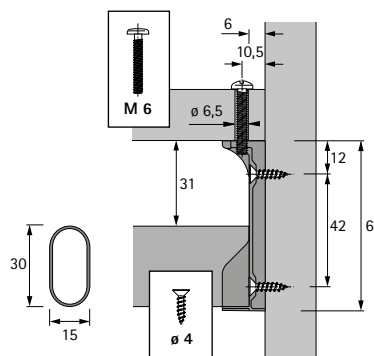
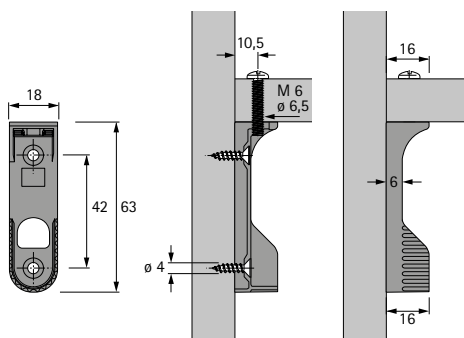
► Wardrobe rail supports

SL 786 wardrobe rail supports



- Screw in below the shelf
- With special screw M6 x 25 mm for a maximum shelf thickness of 19 mm
- 2 additional screw holes for attachment at the side
- Zinc die-cast nickel plated

Order no.	PU
0 070 668	1/50 ea.



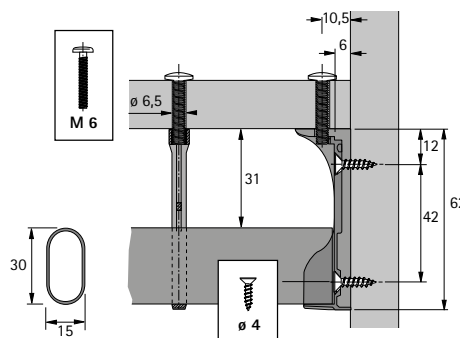
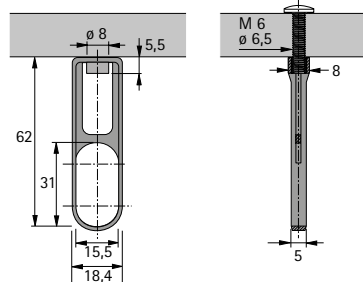
wardrobe rail length = internal cabinet width - 13 mm

SL 781 wardrobe rail center bearing



- Screw in below the shelf
- With special screw M6 x 25 mm for a maximum shelf thickness of 19 mm
- Zinc die-cast nickel plated

Order no.	PU
0 070 676	1/10 ea.



wardrobe rail length = internal cabinet width - 13 mm