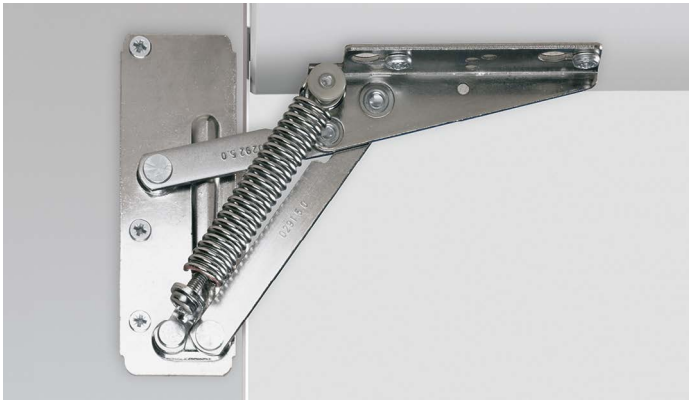


Other flap fittings

- ▶ Upward opening flap fitting
- ▶ Lift

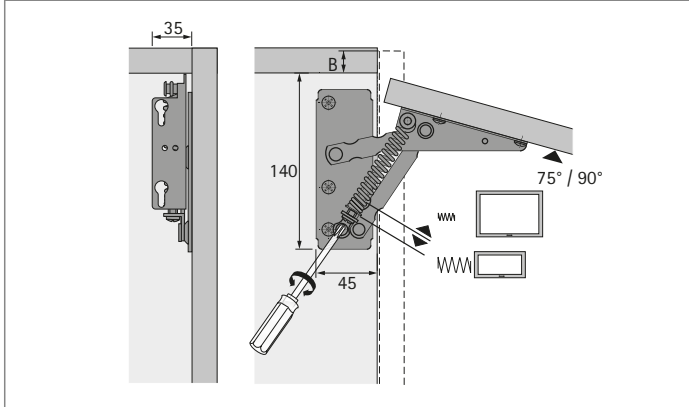
Lift



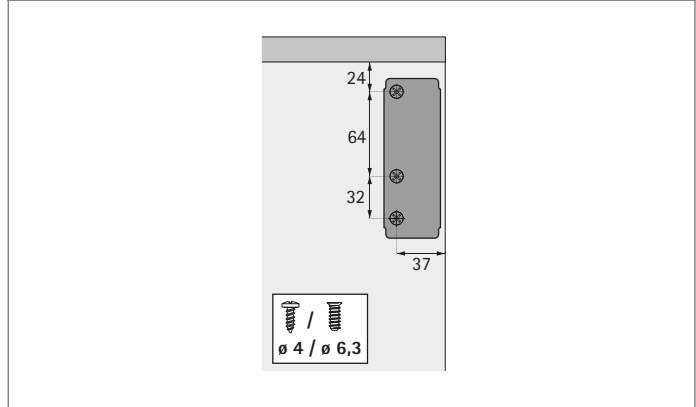
- ▶ For wooden front panels or framed wooden front panels
- ▶ Hole line application for fast, easy installation in system 32
- ▶ Flap dimensions: height 200 - 500 mm / width 300 - 1000 mm
- ▶ Steel, nickel plated

Opening angle °	Spring force N	Max. flap weight kg	Order no.	PU
75	80 - 220	4.6	0 040 721	1/10 pair
90	80 - 220	4.6	0 010 921	1/10 pair
90	180	3.3	0 079 389	1/10 pair

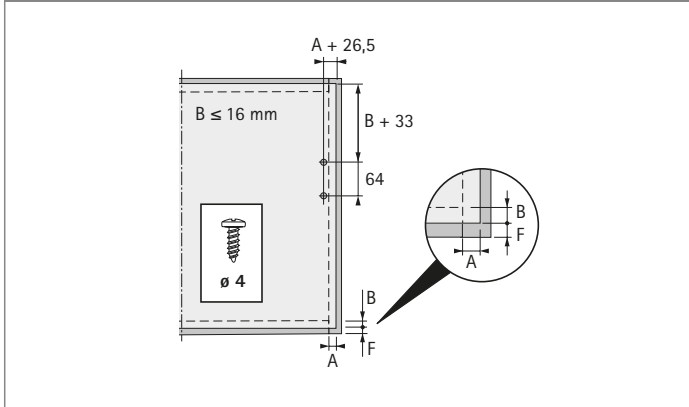
Flap and opening dimensions



Carcase drilling pattern



Flap drilling pattern



Application

