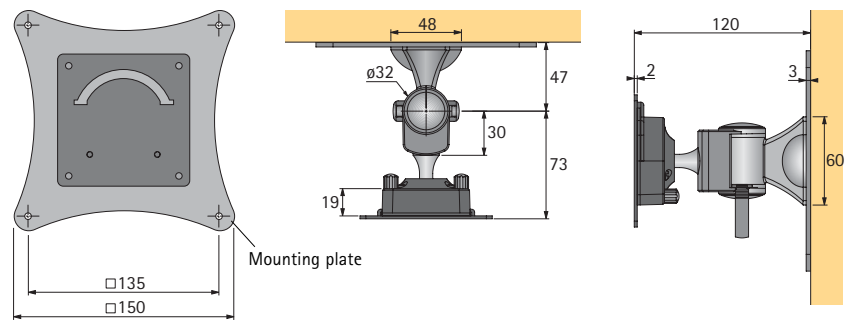




### Articu Mono

- For LCD/TFT screens
- For screen diagonals up to 24 inch
- With single-joint arm
- Load capacity 8 kg
- Plastic lug to bear the cable
- Complete with 2 mounting plates VESA 75 and VESA 100, black steel
- Steel powder coated aluminium finish

Order no.	PU
9 078 654	1 set



### Articu Multi

- For LCD/TFT screens
- For screen diagonals up to 24 inch
- With multi-joint arm
- Load capacity 8 kg
- Plastic lug to bear the cable
- Complete with 2 mounting plates VESA 75 and VESA 100, black steel
- Steel powder coated aluminium finish

Order no.	PU
9 078 655	1 set

