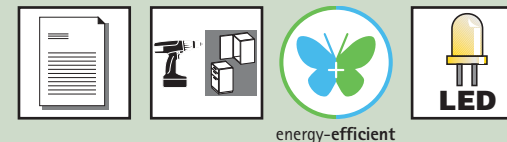


- 2 - 15 Light concepts
- 17 - 87 LED lights
- 88 - 131 Fluorescent lights
- 132 - 159 Low-voltage halogen lights
- 160 - 167 Switch systems
- 168 - 170 Accessories

Intense flex



energy-efficient



Light type: Surface-mounted LED
Function: Task light
Specific characteristics: Surface-mounting light with 56 powerful radial LEDs
 Flexible light arm can be poised to suit personal needs
 Also suitable as bedside / reading lamp
 With integrated ON / OFF switch
Finish: High-gloss chrome-plated
Ordering information: LED ballast and any necessary mains-voltage feeder need to be ordered separately, see below or refer to pages 72 - 74
 Optionally available, the screw clamp permits fast installation without the need for tools.
 Also available as a set of 2 lights with plug-in LED power supply unit, see below

Order no.	PU
9 070 838	1

Accessories

Article	Order no.	PU
Screw clamp	9 070 635	1
LED ballast, 15 W, with 2000 mm supply lead and euro plug	9 084 282	1
LED extension lead 1800 mm	0 041 762	1
3-way LED distributor 180 mm	0 043 874	1

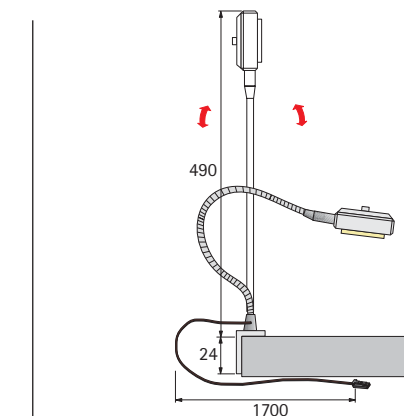
For further LED ballasts and accessories, see pages 72 - 79

Technical details in brief

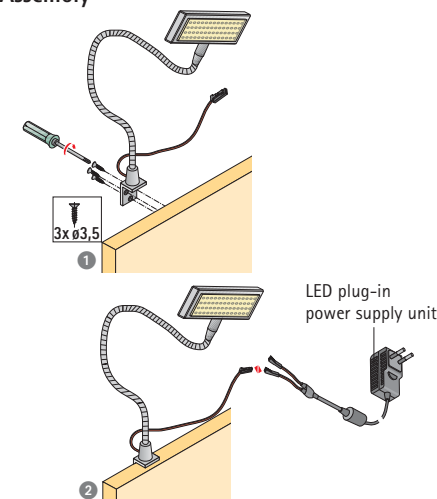
Operating voltage: 12 Volt DC
Output: 3 Watt
Number of LEDs: 56
IP rating: IP 20
Light tone: cool white
Light emission angle: 90°
Test marks and symbols:
Supply lead: 1700 mm
Dimmable: yes
Plug connection: LED mini plug connection
Connection to: LED ballast

Surface-mounted light set Intense flex contains:
 2 surface-mounted lights Intense flex
 1 LED plug-in power supply unit 10 W

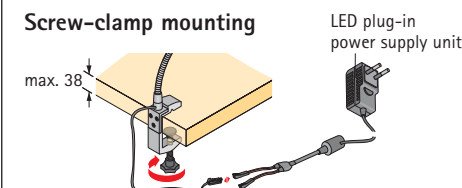
Order no.	PU
9 086 796	1 set



Assembly



Screw-clamp mounting



Light distribution diagram

