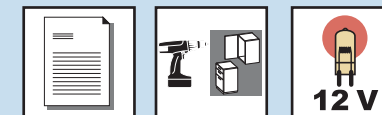


- 2 - 15 Light concepts
- 17 - 87 LED lights
- 88 - 131 Fluorescent lights
- 132 - 159 Low-voltage halogen lights
- 160 - 167 Switch systems
- 168 - 170 Accessories

# Sion



## Technical details in brief

Operating voltage: 12 Volt AC  
 Output: 20 Watt  
 Lamp: QT 9  
 IP rating: IP 20  
 Light tone: warm white  
 Light emission angle: 140°  
 Test marks and symbols:   
 Minimum distance:  $\rightarrow 0,15$    
 Fitting diameter: 58 - 60 mm  
 Installation depth: min. 20,5 mm  
 Supply lead: 2000 mm  
 Dimmable: yes  
 Plug connection: halogen plug connection  
 Connection to: low-voltage transformer

**Light type:** Recessed halogen  
**Function:** Task / ambient light  
**Specific characteristics:** Reflector with satinised protective glass lens  
 Screw or spring-clip mounting  
**Ordering information:** Cover ring, low-voltage transformer and any necessary mains-voltage feeder need to be ordered separately, see below or refer to pages 156 - 159  
 Also available as a set of 3 lights and low-voltage transformer, see below

## Recessed light Sion

Order no.	PU
9 070 601	20

## Cover ring for Sion recessed light

Finish	Order no.	PU
white	9 070 604	20
chrome-plated	9 070 606	20
gilt	9 070 608	20
chrome-plated matt	9 070 612	20
aluminium finish	9 070 609	20

## Accessories

Article	Order no.	PU
Low-voltage transformer 10 - 60 W	9 084 286	1
Low-voltage transformer 20 - 105 W	9 084 288	1

(transformers with 2000 mm supply lead and euro plug)

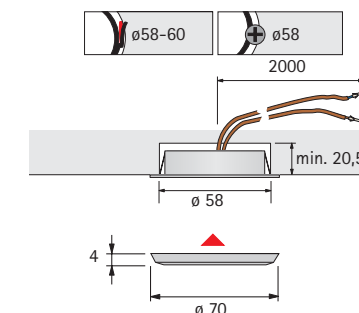
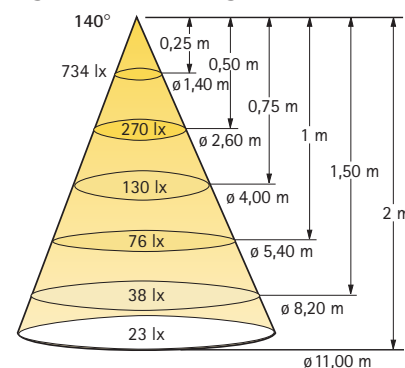
For further transformers and accessories, see pages 156 - 170

## Sion recessed light set

contains:  
 3 recessed lights Sion  
 3 cover rings, aluminium finish  
 1 low-voltage transformer 10 - 60 W  
 with 2000 mm supply lead and  
 euro plug

Order no.	PU
9 086 813	1 set

## Light distribution diagram



## Assembly

