

Drawer runners for wooden drawers

- ▶ KA 4532 full extension runner with Silent System for side installation
- ▶ Load capacity 35 kg

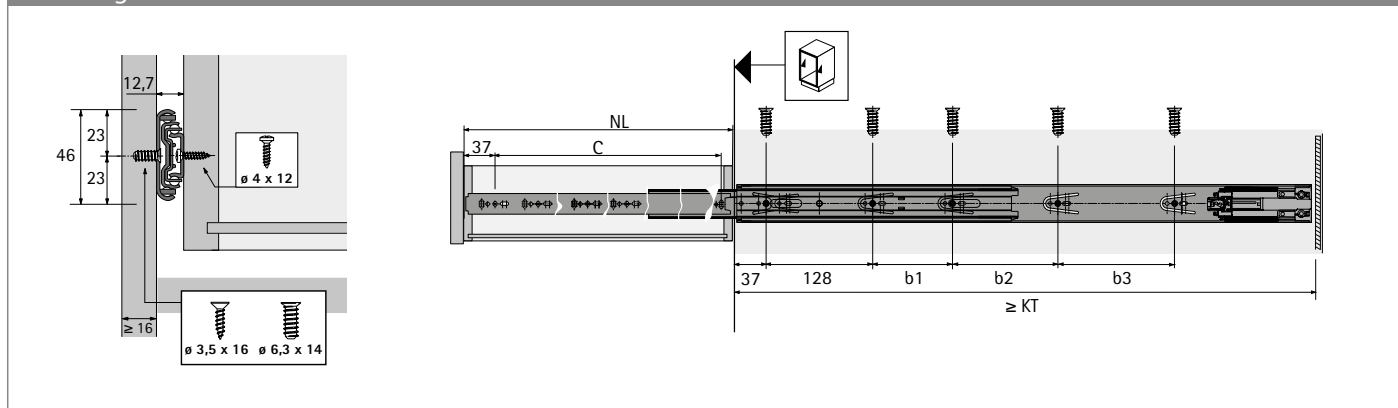


- ▶ **Silent System** - the integrated Silent System closes the drawer quietly and gently
- ▶ A release lever makes the drawer easy to remove and reinstall
- ▶ Precision control for moving smoothly and freely and high lateral stability
- ▶ For drawers with grooved, rebated or loosely fitted drawer bottom panel
- ▶ Load capacity to EN 15338, Level 2
- ▶ Galvanised steel, blue passivated

Ball bearing runner KA 4532 Silent System, 12.7 mm installed width

Nominal length / drawer length NL mm	Minimum carcase depth KT mm	Hole spacing b1 mm	Hole spacing b2 mm	Hole spacing b3 mm	Hole spacing C mm	Order no.	PU
300	304 mm				171	9 114 271	1/10 pairs
350	354 mm	64			220	9 114 273	1/10 pairs
400	404 mm	64			254	9 114 274	1/10 pairs
450	454 mm	96			294	9 114 275	1/10 pairs
500	504 mm	96	64		344	9 114 276	1/10 pairs
550	554 mm	96	128		394	9 114 277	1/10 pairs
600	604 mm	96	160		444	9 114 278	1/10 pairs
650	654 mm	96	128	96	494	9 114 279	1/10 pairs
700	704 mm	96	128	128	544	9 114 280	1/10 pairs

Planning dimensions



Advice

- ▶ For technical information, see page 1610 - 1612
- ▶ For accessories, see page 1636 - 1641