

- ▶ Built-in waste bins
- ▶ Bin.it Space, Bin.it Easy

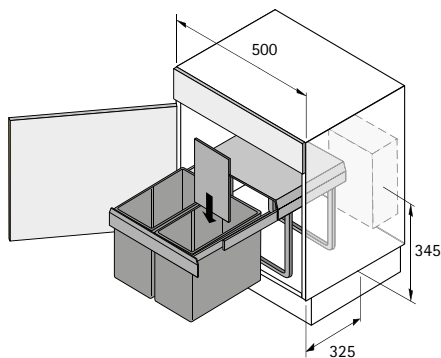
Bin.it Space



- ▶ Pull-out system with full extension runner
- ▶ For minimum cabinet width 500 mm
- ▶ Capacity 30 litres
- ▶ Quick and simple bottom panel installation
- ▶ Optional cross partition (order no. 9 080 021) permits 3 and 4-fold separation
- ▶ The shallow installed depth creates space for U bend, water connections and built-under appliances
- ▶ Installation dimensions:
Width 455 mm
Depth 325 mm
Height 345 mm
- ▶ Frame and pull-out, powder coated, silver
- ▶ Bin and lid of grey plastic

Set comprises:

- ▶ 2 bins +
- ▶ 1 fitted frame with full extension runner and lid



Article	Order no.	PU
Bin.it Space	9 079 926	1 set
Cross partition	9 080 021	1 ea.

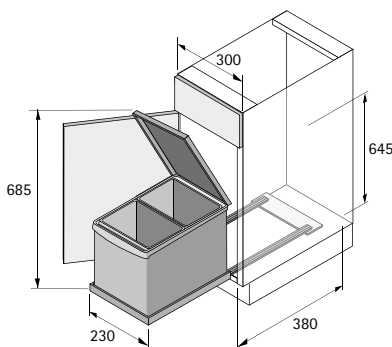
Bin.it Easy



- ▶ Pull-out system with full extension runner, simple bottom installation
- ▶ For minimum cabinet width 300 mm
- ▶ With automatic lid - lid opens as it is pulled out
- ▶ Min. inside installation dimensions:
Width 230 mm
Depth 380 mm
Height 645 mm (product height with closed lid: 360 mm)
- ▶ Bin and lid of grey plastic
- ▶ Pull-out system, powder coated steel, silver

Set comprises:

- ▶ 1 or 2 bins
- ▶ Complete fitting with full extension runner and lid



Capacity	Order no.	PU
	9 079 903	1 set
+	9 079 929	1 set