

Telescopic tie rack



- For installation on carcass side
- Fitting usable right or left
- With 17 non-slip elements
- Width 130 mm
- Depth 540 mm
- Height 90 mm
- Steel, chrome plated / powder coated silver

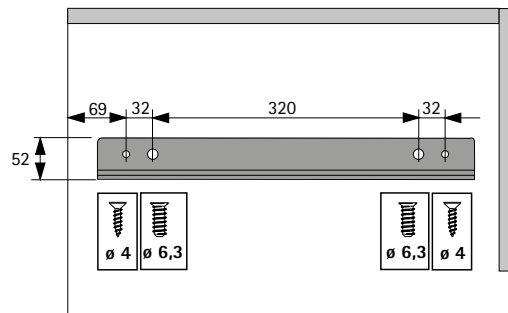
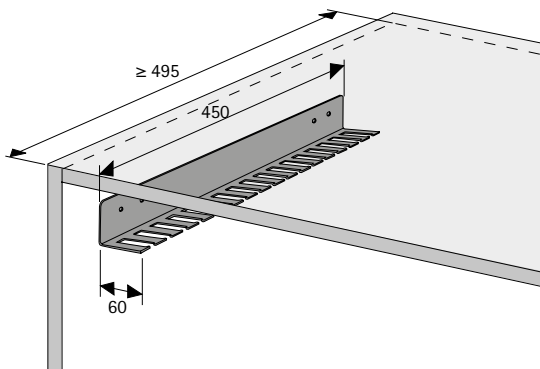
Order no.	PU
0 073 586	1 ea.

Tie and belt rack



- For screwing onto the carcass side
- With 18 hooks
- Powder coated steel, silver

Order no.	PU
9 162 281	1 ea.



Tie and belt rack



- For screwing onto the carcass side
- Length 300 mm
- Steel, nickel plated

Order no.	PU
0 048 890	1/20 ea.