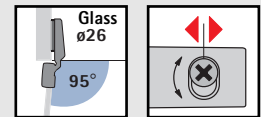


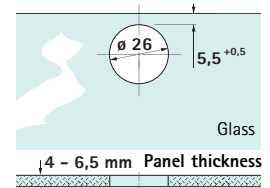
# Fast-assembly glass-door hinge Intermat 9904 Opening angle 95°



- Concealed hinge for snap-on attachment
- For glass panel thicknesses of 4 - 6,5 mm
- Cup diameter 26 mm
- With self-closing feature
- Integrated overlay adjustment + 1,0 mm/- 2,5 mm
- Integrated cam depth adjustment + 3,5 mm/- 0,5 mm
- Height adjustment at mounting plate  $\pm$  2 mm
- Hinge cup: black plastic
- Hinge arm: nickel-plated die-cast zinc
- Please order hinge-cup fixing screws separately for glass panel thicknesses of 5,5 - 6,5 mm, see page below
- For decorative caps, see page 3.1.65

### Cup versions

**Cup T1**  
Screw on


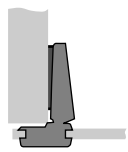

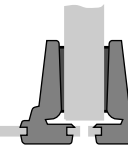

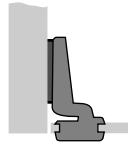


T1 hole dimensions

### Hinge versions

### Mounting options

### Article/Order no.

Hinge versions	Mounting options	Article/Order no.	PU
<p>Cranking 1 mm</p> 	<p>Overlay door</p> 	<p>9904-T1 0 072 960</p>	<p>PU 1/50</p>
<p>Cranking 9,5 mm</p> 	<p>Overlay door</p> 	<p>9904-T1 0 072 967</p>	<p>PU 1/50</p>
<p>Cranking 16 mm</p> 	<p>Inset door</p> 	<p>9904-T1 0 072 968</p>	<p>PU 1/50</p>

### Hinge-arm cover cap

- Nickel-plated steel



Order no.	PU
0 013 300	1/50

### Hinge-cup fixing screw for glass panel thicknesses of 5,5 - 6,5 mm

- Nickel-plated steel



Bestell-Nr.	VE
9 082 429	200

## Decorative cap A

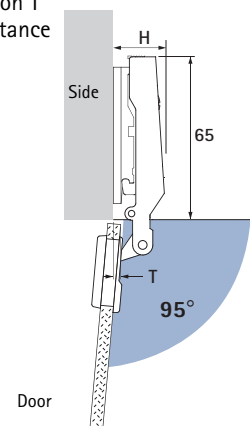


## Decorative cap B

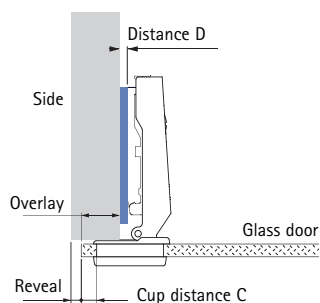


Finishes	Order no.		PU
	Decorative cap A	Decorative cap B	
high-gloss gold	0 040 340	0 040 494	1/50
high-gloss chrome	0 040 341	0 040 495	1/50
black	0 070 051	0 070 052	1/50
matt nickel-plated	0 070 712	0 070 713	1/50

Hinge protrusion H/  
door protrusion T  
for 0 mm distance  
and 5,5 mm  
cup distance



Cranking mm	H mm	T mm
1,0	19,0	4,0
9,5	23,0	12,5
16,0	29,5	19,0



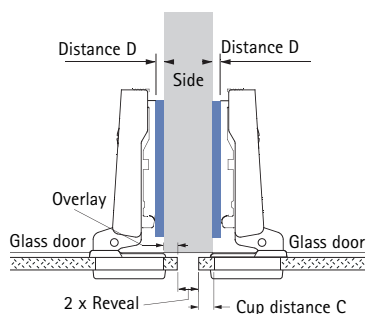
Cup distance C-distance	Overlay mm									
	9	10	11	12	13	14	15	16	16,5	

5,5

Distance D mm

7,5	6,5	5,5	4,5	3,5	2,5	1,5	0,5	0,0
-----	-----	-----	-----	-----	-----	-----	-----	-----

Overlay adjustment + 1,0 mm / - 2,5 mm



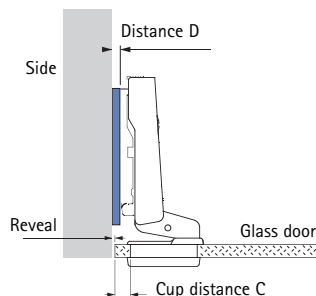
Cup distance C mm	Overlay mm									
	0	1	2	3	4	5	6	7	7,5	8

5,5

Distance D mm

8,0	7,0	6,0	5,0	4,0	3,0	2,0	1,0	0,5	0,0
-----	-----	-----	-----	-----	-----	-----	-----	-----	-----

Overlay adjustment + 1,0 mm / - 2,5 mm



Reveal = 1,5 mm

Cup distance = 5,5 mm

Distance = 3,0 mm

Reveal adjustment + 2,5 mm / - 1,0 mm

Mounting plates, see pages 3.1.88 - 3.1.91

Technical information, see pages 3.1.10 - 3.1.11

Mounting configurations for various face angles, see pages 3.1.93 - 3.1.103