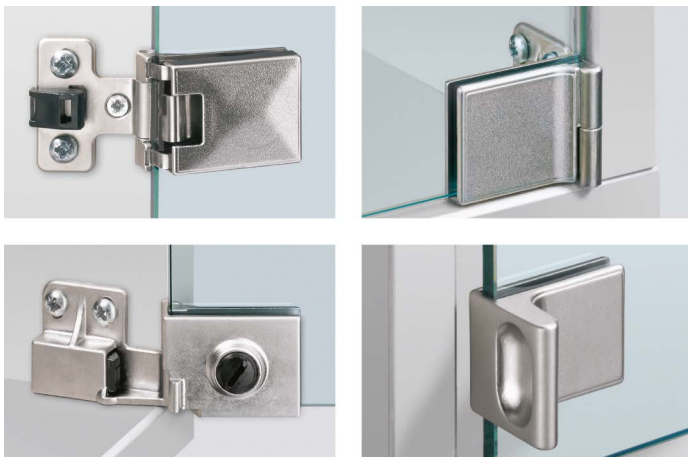


# Special hinge

- ▶ Glass door hinge ET 5150 / ET 5150 Z
- ▶ For inset doors

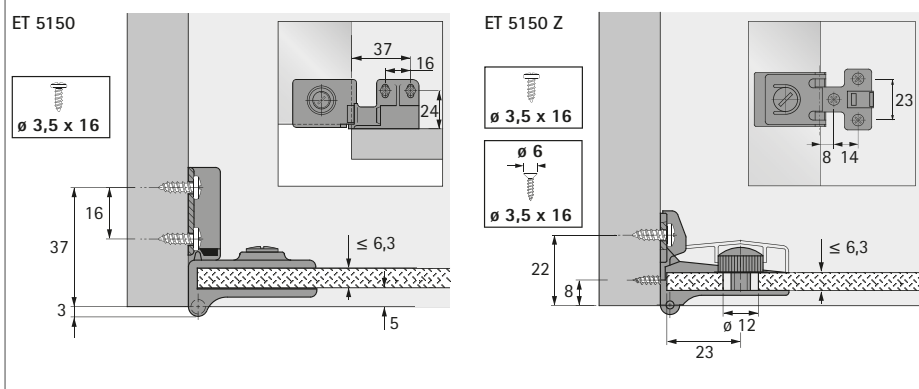


- ▶ Glass door hinge with stay close function for inset doors
- ▶ Opening angle 170°
- ▶ ET 5150 and glass door handle: easy installation via clamping screw, no drillings necessary in the glass
- ▶ Where ET 5150 Z is used:  $\varnothing$  12 mm glass drilling necessary
- ▶ Hinge including stick on anti slip element
- ▶ Door format:
  - Height = inside carcase height - 4.4 mm
  - With glass door handle: width = inside carcase width - 5 mm
  - With other handle: width = inside carcase width - 4 mm
- ▶ Zinc die-cast, matt nickel plated

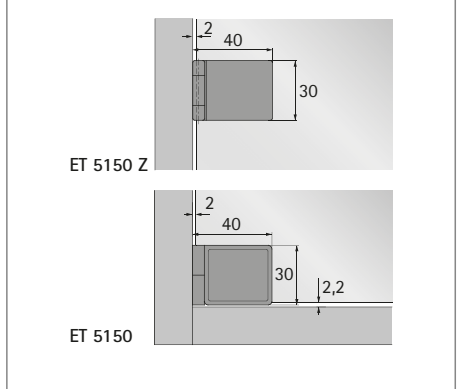
## Glass door hinge ET 5150

Article	Order no.	PU
Glass door hinge ET 5150	0 024 908	1/20 pair
Glass door hinge ET 5150 Z (additionally required for doors taller than 1000 mm)	0 069 934	1/10 ea.
Glass door handle	0 025 314	1/20 ea.

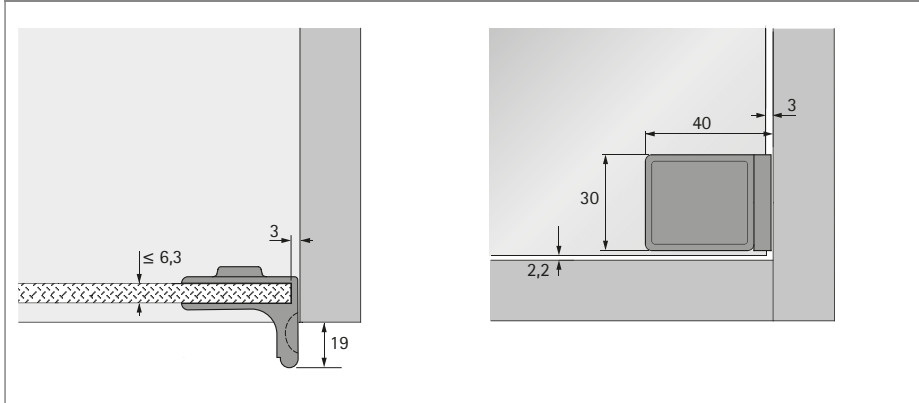
## ET 5150 / ET 5150 Z



## ET 5150 / ET 5150 Z



## Glass door handle



## Note

