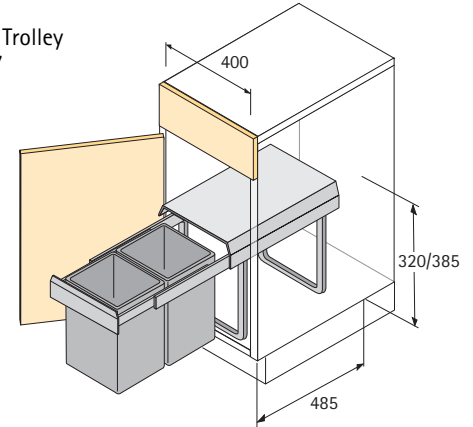




Bin.it Duo II

- 2-fold separation
- For minimum cabinet width 400 mm
- Quick and simple installation
- Full-extension pull-out system
- Can optionally be used with Bin.it Corner Trolley (order number 9 079 930), see page 9.1.87

Set contains:
Complete fitting with full-extension slide
2 bins and lids



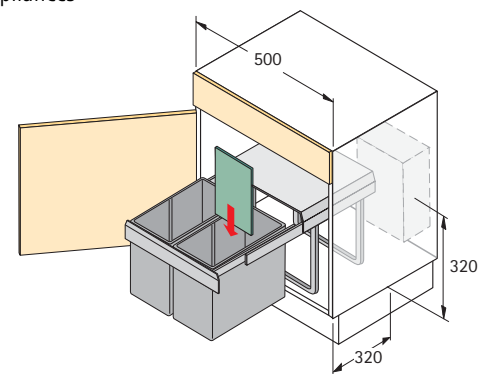
Version	Number of bins incl. capacity l	Cabinet dimensions width x depth x height mm	Order no.	PU
Bin of stainless steel/lid of black plastic	16l + 16l	338 x 485 x 320	0 049 473	1 set
Bin of stainless steel/lid of black plastic	20l + 20l	338 x 485 x 385	0 049 475	1 set
Bin and lid of grey plastic	16l + 16l	338 x 485 x 320	0 049 472	1 set
Bin and lid of grey plastic	20l + 20l	338 x 485 x 385	0 049 474	1 set



Bin.it Space

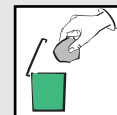
- Full-extension pull-out system
- For minimum cabinet width 500 mm
- Capacity 30 litres
- Quick and simple installation
- Optional cross partition (order number 9 080 021) permits 3- and 4-fold separation
- 320 mm installation depth ensures space for siphon, water connections and undertable appliances
- Dimensions:
Width 455 mm
Depth 320 mm
Height 320 mm
- Frame and extension, silver plastic coated
- Bin and lid of grey plastic

Set contains:
2 bins 15l + 15l
Fitted frame with full-extension slide



Replacement bin, see page 9.1.89

Article	Order no.	PU
Bin.it Space	9 079 926	1 set
Cross partition	9 080 021	1

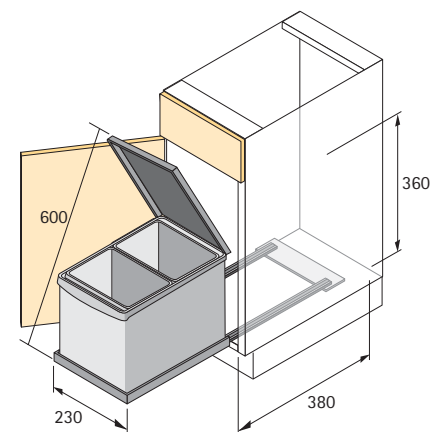


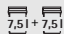

Bin.it Easy

- Full-extension pull-out system
- With automatic lid opener
- Quick and simple installation
- Width 230 mm
Depth 380 mm
Height 360 mm
- Bin and lid of grey plastic
- Pull-out system, steel with silver plastic coating

Set contains:

Complete fitting with full-extension
Bin with lid






Number of inner bins incl. capacity	Order no.	PU
 7,5 l + 7,5 l	9 079 929	1 set
 15 l	9 079 903	1 set

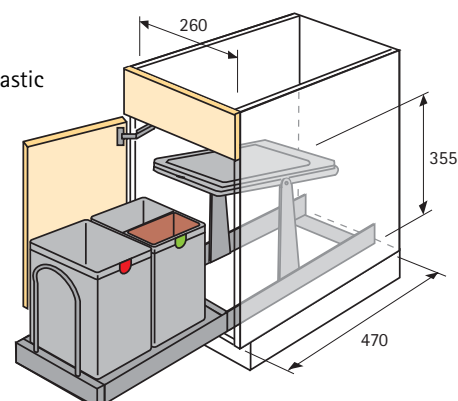


Bin.it Basic

- 3-fold separation
- For cabinet widths 300 mm and greater
- Full-extension pull-out system
- Flip-top lid
- Quick and simple installation
- Minimum internal cabinet dimensions:
Width 260 mm
Depth 430 mm
Height 350 mm
- Runner elements and rails, white steel
- Lid, side elements and inner bin of grey plastic

Set contains:

3 inner bins  +  + 
Complete fitting with full-extension slide
Coloured clips for marking the inner bins



Order no.	PU
0 073 674	1 set

Replacement bin, see page 9.1.89