

- ▶ Sink unit equipment
- ▶ Portero cleaning utensil pull-out

## Portero 1 cleaning utensil pull-out



- ▶ Partial extension runner with integrated Silent System
- ▶ Easy installation on the carcass bottom panel
- ▶ Clip on basket can be removed with a handle
- ▶ System carrier: steel, silver; clip on basket chrome plated steel
- ▶ Holder and carrying handle acid-proof translucent plastic

Set comprises:

- ▶ 1 system carrier
- ▶ 1 clip on basket with handle and plastic tray
- ▶ 4 divider bars

Width x depth x height mm	Dimension A mm	Dimension B mm	Order no.	PU
161 x 460 x 395	395	161	<b>0 049 085</b>	1 set

## Portero 2 cleaning utensil pull-out



Set comprises:

- ▶ 1 system carrier
- ▶ 1 clip on basket with handle and plastic tray
- ▶ 1 clip on basket with plastic tray, 8 divider bars

Width x depth x height mm	Dimension A mm	Dimension B mm	Order no.	PU
276 x 468 x 395	395	285	<b>0 049 086</b>	1 set

## Portero 3 cleaning utensil pull-out

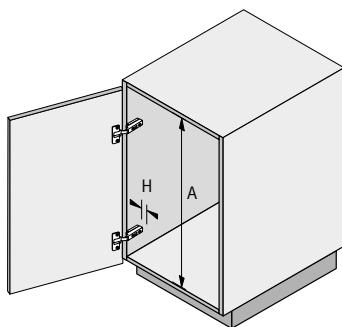


Set comprises:

- ▶ 1 system carrier
- ▶ 1 clip on basket with handle and plastic tray
- ▶ 1 clip on basket with plastic tray, 8 divider bars
- ▶ 1 swivel basket with plastic shelf

Width x depth x height mm	Dimension A mm	Dimension B mm	Order no.	PU
276 x 468 x 510	507	285	<b>0 049 087</b>	1 set

## Planning dimensions



H = Hinge protrusion

