

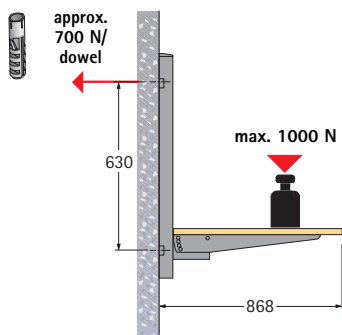
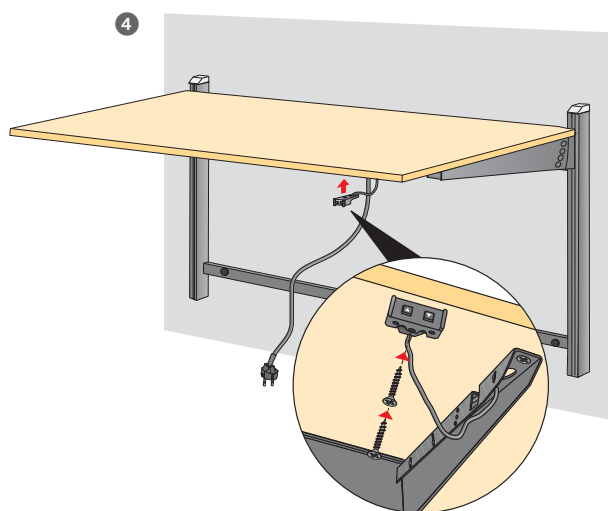
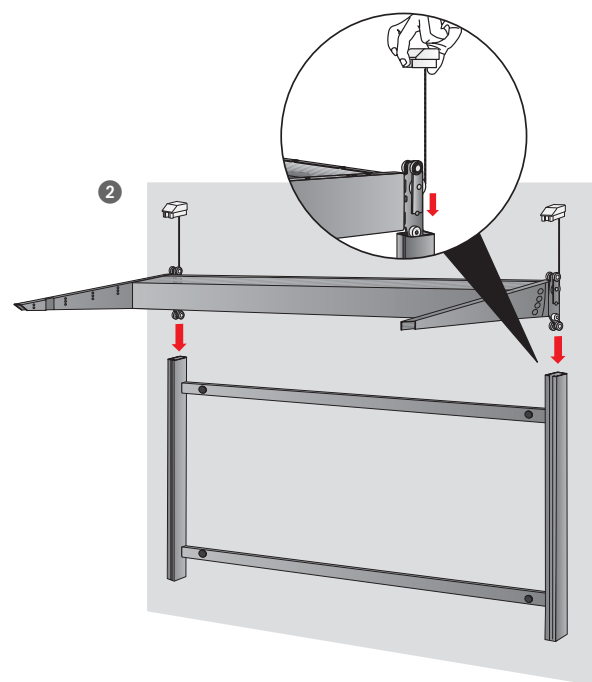
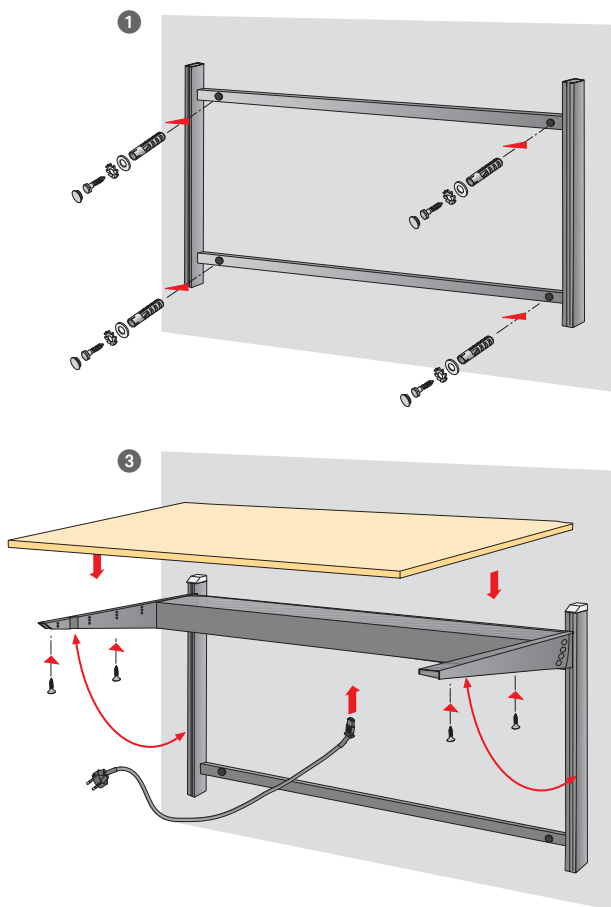


## HV feeder

- With contour plug, swiss type plug, GB version
- Black
- Lead 2100 mm

Article	Order no.	PU
① Contour plug (CEE 7/7)	0 041 964	1
② Swiss type plug	0 041 965	1
③ UK plug (type G)	0 041 966	1

## Assembly



The dowels supplied are only for use with solid materials, such as lime sand brick, solid brick, concrete, etc. For other types of material, appropriate fastenings should be used which can safely support the loads indicated above.