

Special hinge

- ▶ Glass door hinge ET 5160
- ▶ For overlay doors

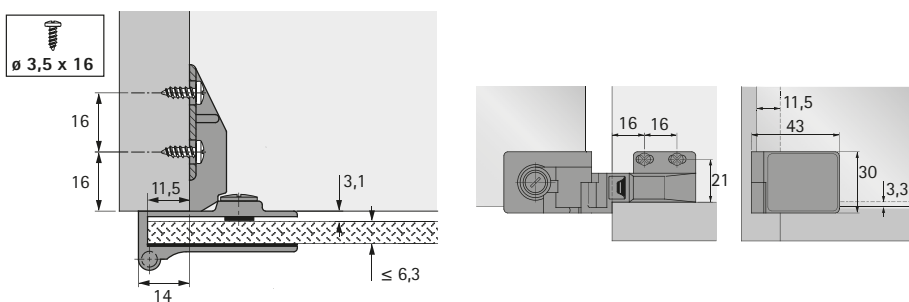


- ▶ Glass door hinge with stay close function for overlay doors
- ▶ Opening angle 170°
- ▶ Easy to install via clamping screw, no drillings necessary in the glass
- ▶ Hinge including stick on anti slip element
- ▶ Door format:
 - Height = inside carcase height + 6.6 mm
 - Width = inside carcase width + 23 mm
- ▶ Zinc die-cast, matt nickel plated

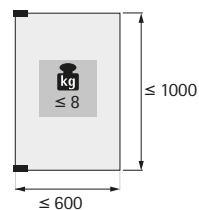
Glass-door hinge ET 5160

Article	Order no.	PU
Glass-door hinge ET 5160	0 030 866	1/20 pair
Glass door handle	0 025 314	1/20 ea.

ET 5160



Note



Glass door handle

