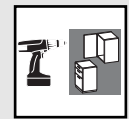
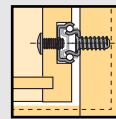


Part-extension for wooden drawers

Ball bearing slide KA 1730

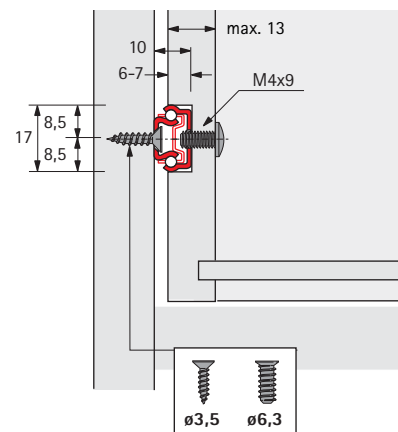
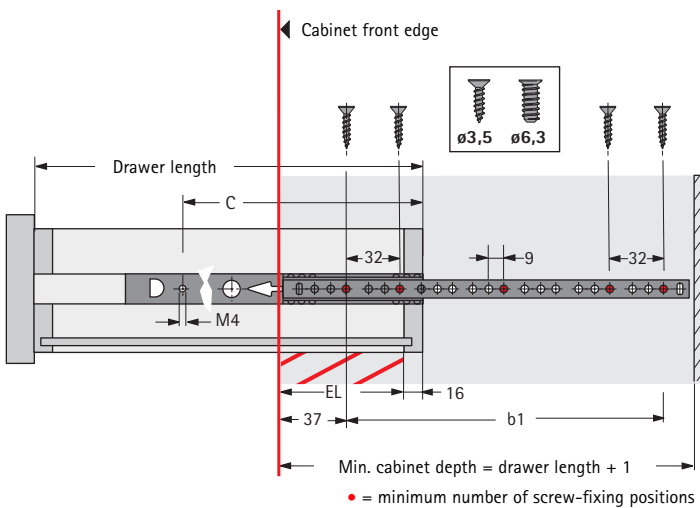
17 mm groove, load capacity 10 kg



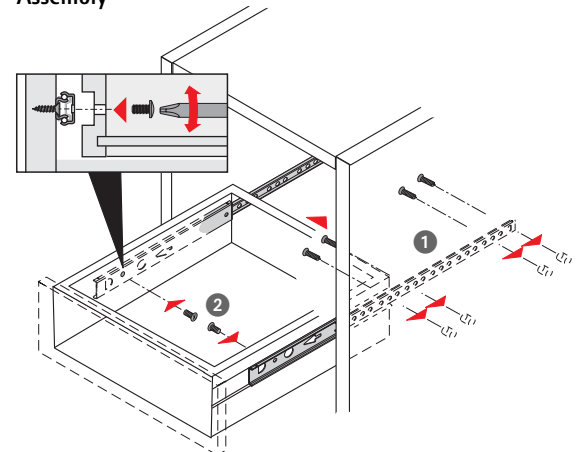
- Precision partial-extension slide with pull-out stop and roll-out prevention
- Slide and ball race form a single inseparable unit
- Smooth action and high side stability through precision slide
- Arrow marking fitting direction
- Additional front support for drawers longer than 430 mm
- For wooden drawers with grooved, rebated or loosely fitted bases
- Galvanized steel

Nominal length mm	Drawer length mm	Extension loss EL mm	Hole spacing mm		Cabinet rail mm	Drawer slide mm	Order no.	PU
			b1	C				
200	155 - 210	32	96	101	150	133	0 079 054	1/20 sets
250	185 - 260	44	128	132	182	164	0 079 055	1/20 sets
300	185 - 305	44	128	153	182	185	0 030 765	1/20 sets
330	220 - 340	56	160	178	214	210	0 066 933	1/20 sets
350	220 - 355	56	160	185	214	217	0 071 835	1/20 sets
380	250 - 390	68	196	209	246	241	0 071 836	1/20 sets
400	250 - 410	68	196	217	246	249	0 030 766	1/20 sets
Front support from 430 mm								
430	430	86	224	398	278	430	0 079 056	1/20 sets
450	450	86	224	418	278	450	0 030 767	1/20 sets
480	480	98	256	448	310	480	0 079 057	1/20 sets
500	500	98	256	468	310	500	0 030 768	1/20 sets
550	550	110	288	518	342	550	0 030 769	1/20 sets

2 M4 x 9 screws are included in every set



Assembly



Fixing screws

	Dimensions mm	Order no.	PU
	ø 6,3 x 10,5	0 051 264	200
	ø 6,3 x 14	0 051 265	200
	ø 3,5 x 12	9 079 791	200
	ø 3,5 x 16	0 071 925	200
	M4 x 9	0 079 527	200

Processing technology see group 2