

# Drawer runners for wooden drawers

- ▶ KA 290 over extension runner for groove installation
- ▶ Load capacity 20 kg

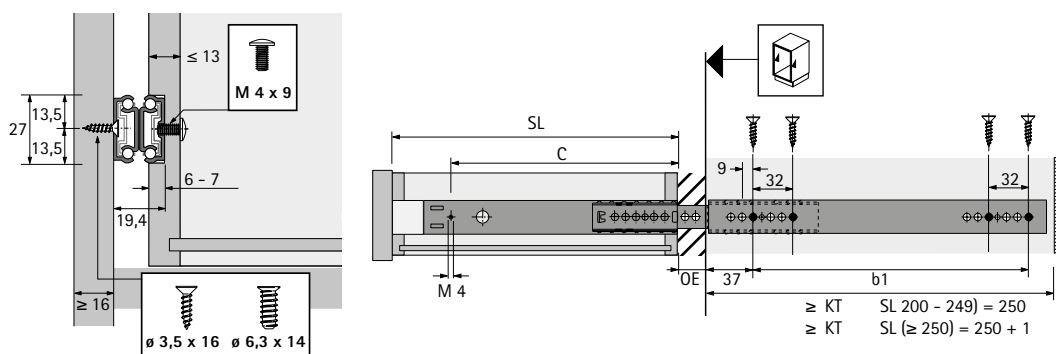


- ▶ Over extension runner with pull-out stop and roll-out prevention
- ▶ Runner and ball cage form a complete, non-separable unit
- ▶ Precision control for moving smoothly and freely and high lateral stability
- ▶ For drawers with grooved, rebated or loosely fitted drawer bottom panel
- ▶ Load capacity to EN 15338, Level 1
- ▶ Galvanised steel

## KA 290 ball bearing runner, 27 mm groove

Nominal length mm	Drawer length SL mm	Over extension runner OE mm	Hole spacing b1 mm	Hole spacing C mm	Carcase rail mm	Drawer runner mm	Order no.	PU
250	200 - 310	24	192	165	246	197	<b>0 026 561</b>	1/5 pair
310	310 - 450	24	256	271	310	303	<b>0 026 562</b>	1/5 pair
450	450 - 550	40	256	296	310	328	<b>0 026 578</b>	1/5 pair

## Planning dimensions



## Advice

- ▶ For technical information, see page 1610 - 1612
- ▶ For accessories, see page 1636 - 1641