

Drawer runners for wooden drawers

- ▶ FR 402 partial extension runner with Stop Control
- ▶ Load capacity 25 kg

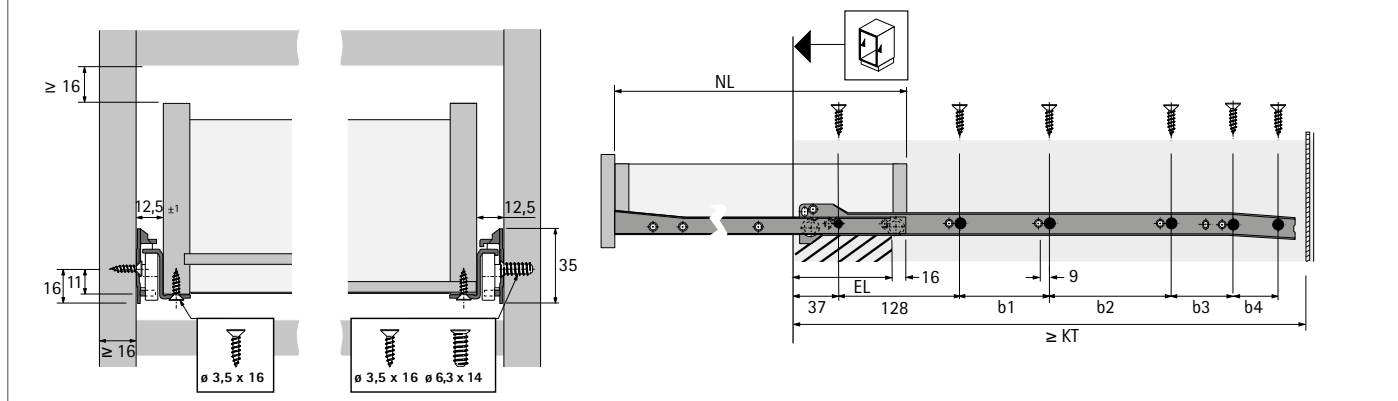


- ▶ **Stop Control** – integrated self closing mechanism for automatic closure
- ▶ With double stop and roll-out prevention
- ▶ With captive guide rail on one side
- ▶ Automatic tolerance compensation ± 1 mm
- ▶ Load capacity to EN 15338, Level 1
- ▶ powder coated steel, white

FR 402 roller runner

Nominal length / drawer length NL mm	Minimum carcass depth KT mm	Extension loss EL mm	Hole spacing b1 mm	Hole spacing b2 mm	Hole spacing b3 mm	Hole spacing b4 mm	Order no.	PU
250	253	69	64				1 061 611	1/20 pair
300	303	69	96				1 058 344	1/20 pair
350	353	69	96	64			1 058 345	1/20 pair
400	403	69	96	128			1 058 346	1/20 pair
450	453	79	96	128	32		1 058 347	1/20 pair
500	503	86	96	128	64	32	1 058 348	1/20 pair
550	553	94	96	128	128		1 058 349	1/20 pair
600	603	104	96	128	128		1 058 350	1/20 pair

Planning dimensions



Advice

- ▶ For technical information, see page 1620
- ▶ For accessories, see pages 1636 - 1641